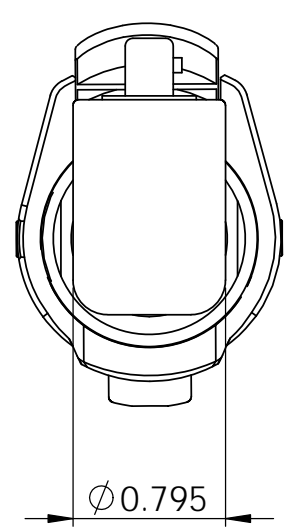
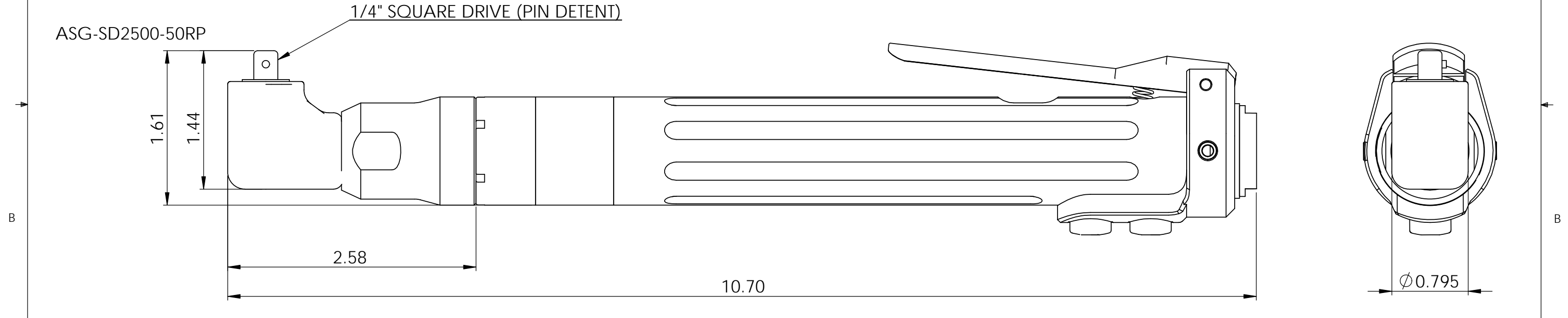
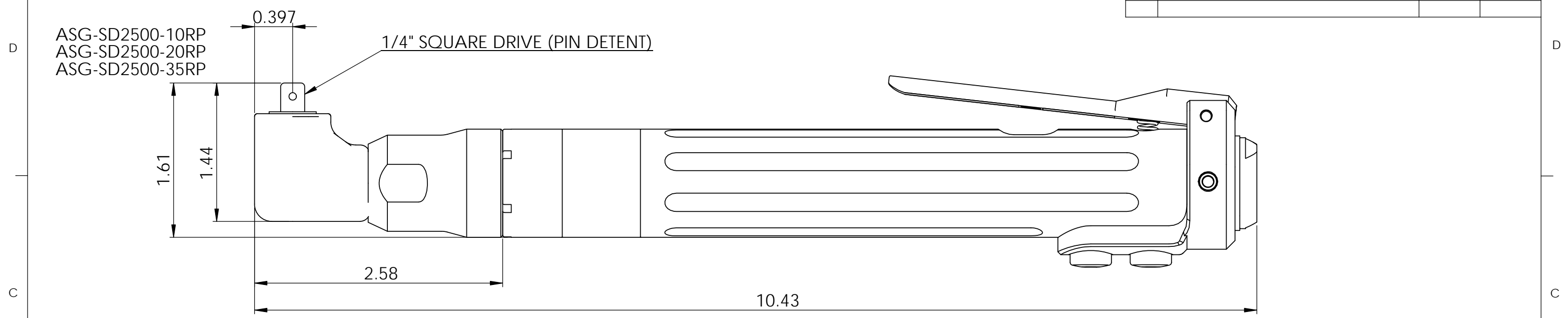
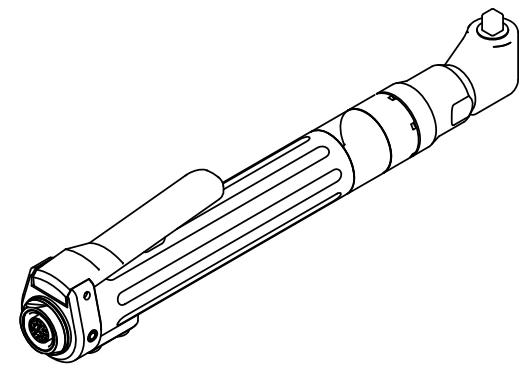


REV.	ECN/PCN/DESCRIPTION	BY	DATE
B	END VIEW ADDED	CJC	10/6/14
C	DIMENSIONS ADDED	CJC	11/11/15



'RP' STYLE TOOLS CAN ALSO BE A SERVICE MODIFICATION OF 'FX' STYLE TOOLS



**PROPRIETARY AND CONFIDENTIAL**  
 THE INFORMATION CONTAINED IN THIS DRAWING IS THE SOLE PROPERTY OF ASG A DIVISION OF JERGENS INC. ANY REPRODUCTION IN PART OR AS A WHOLE WITHOUT THE WRITTEN PERMISSION OF ASG A DIVISION OF JERGENS INC. IS PROHIBITED.

UNLESS OTHERWISE SPECIFIED:		NAME	DATE	TITLE: RP STYLE TOOL DIMENSIONS	
DIMENSIONS ARE IN INCHES		DRAWN			
TWO PLACE DECIMAL ±0.01		CHECKED			
THREE PLACE DECIMAL ±0.005		ENG APPR.			
FRACTIONAL ±1/64		MFG APPR.			
ANGULAR: ± 1/2 DEG		Q.A.			
FINISHES 125 MAX		COMMENTS:		SIZE	DWG. NO.
REMOVE ALL BURRS AND BREAK SHARP EDGES 0.005/0.010				<b>B</b>	ASG-SD2500-RP DIM
MATERIAL				SCALE:	WEIGHT:
FINISH				SHEET 1 OF 1	
APPLICATION	DO NOT SCALE DRAWING				

NEXT ASSY	USED ON
-----------	---------