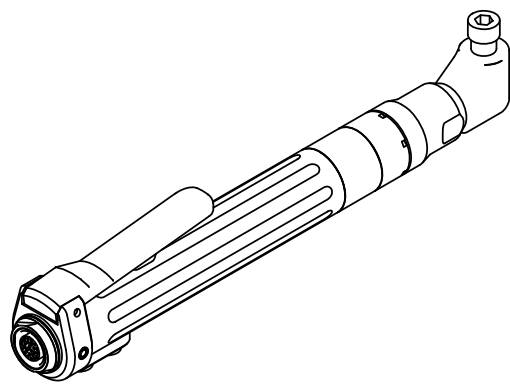
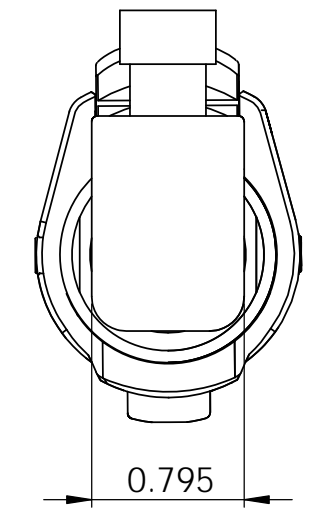
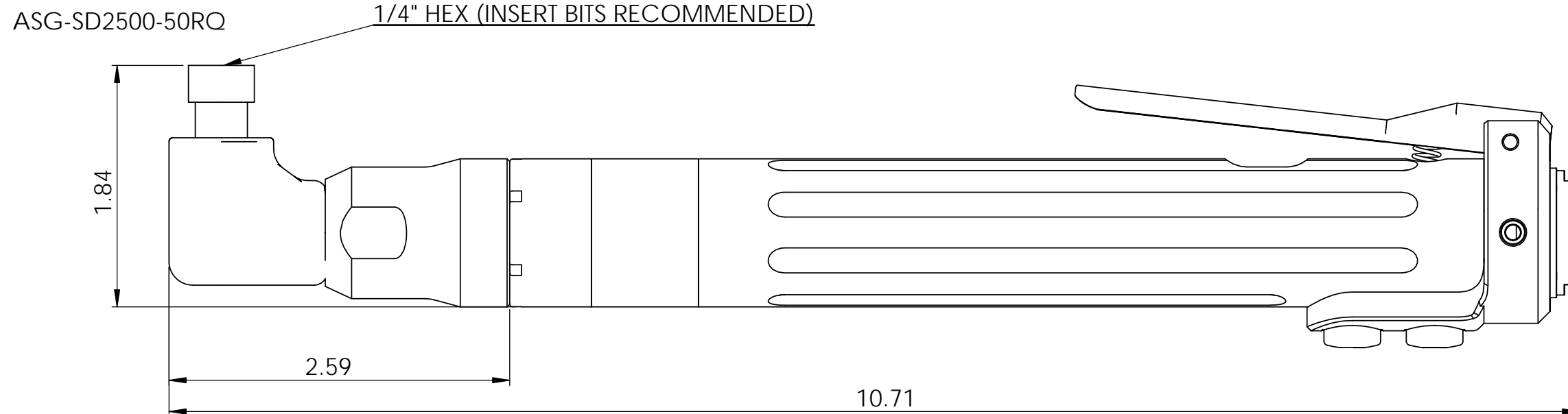
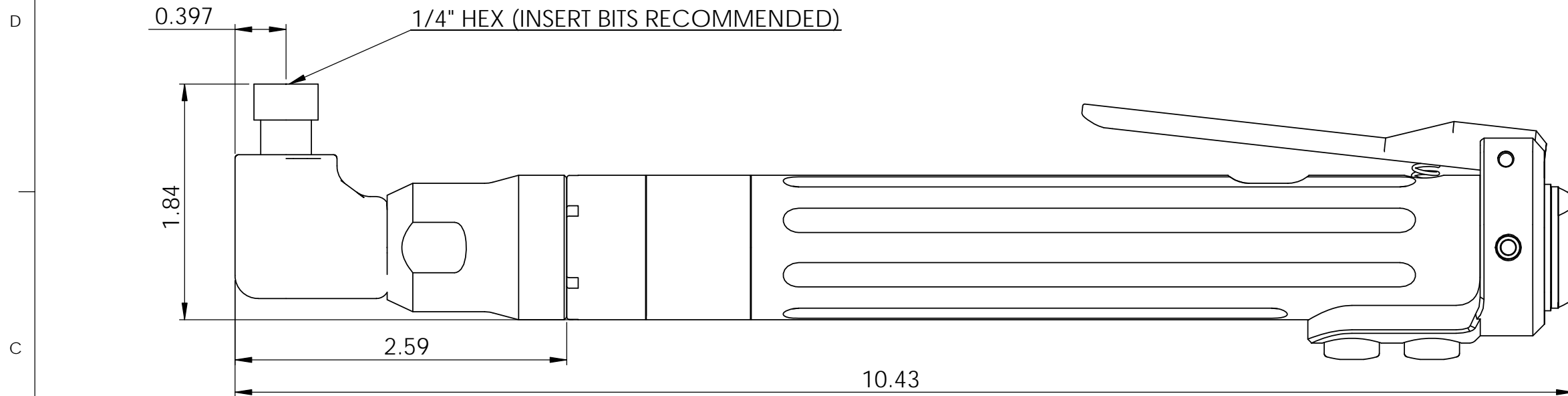


ASG-SD2500-10RQ  
 ASG-SD2500-20RQ  
 ASG-SD2500-35RQ

REV.	ECN/PCN/DESCRIPTION	BY	DATE
B	INSERT BIT RECOMMENDATION ADDED	CJC	5/20/14
C	END VIEW ADDED	CJC	10/6/14



**PROPRIETARY AND CONFIDENTIAL**  
 THE INFORMATION CONTAINED IN THIS DRAWING IS THE SOLE PROPERTY OF ASG A DIVISION OF JERGENS INC. ANY REPRODUCTION IN PART OR AS A WHOLE WITHOUT THE WRITTEN PERMISSION OF ASG A DIVISION OF JERGENS INC. IS PROHIBITED.

UNLESS OTHERWISE SPECIFIED:		NAME	DATE	TITLE: RQ STYLE TOOL DIMENSIONS	
DIMENSIONS ARE IN INCHES		DRAWN			
TWO PLACE DECIMAL ±0.01		CHECKED			
THREE PLACE DECIMAL ±0.005		ENG APPR.			
FRACTIONAL ±1/64		MFG APPR.			
ANGULAR: ± 1/2 DEG		Q.A.			
FINISHES 125 MAX		COMMENTS:		SIZE	DWG. NO.
REMOVE ALL BURRS AND BREAK SHARP EDGES 0.005/0.010				<b>B</b>	ASG-SD2500-RQ DIM
MATERIAL	FINISH			SCALE:	WEIGHT:
NEXT ASSY	USED ON				
APPLICATION	DO NOT SCALE DRAWING			SHEET 1 OF 1	