

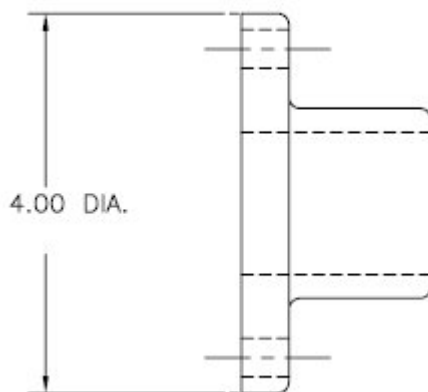
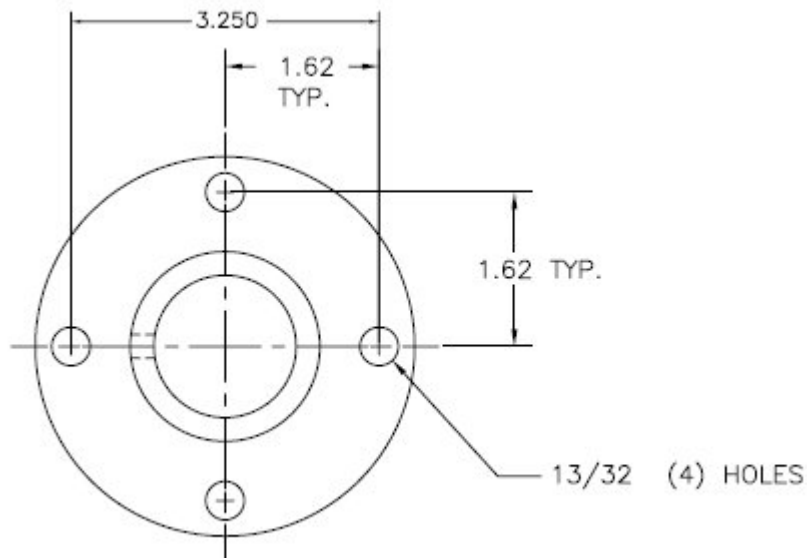


## Mounting Base for Torque Arms

Hole pattern for the base which fits the following ASG Torque Arms:

#65010, #65013, #65046, #65050, #65054, #65056, #65058, #65060, #65062

Please note: Not for #65012



**ASG, Division of Jergens, Inc.**

15700 S. Waterloo Road | Cleveland, OH 44110-3898

Phone: (888) 486-6163 | Fax: (216) 481-4519

Email: [asginfo@asg-jergens.com](mailto:asginfo@asg-jergens.com) | Web: [www.asg-jergens.com](http://www.asg-jergens.com)